

Kompresory rady ZR a ZP (chladenie a klimatizácia)


R 22		Vyparovací teplo								
		Kond.tep.	-20,0	-15,0	-10,0	-5,0	0,0	5,0	7,0	10,0
ZR22K*E	30.0	2.11	2.67	3.35	4.10	4.95	5.95	6.35	7.05	7.65
	40.0	1.85	2.38	3.00	3.70	4.45	5.35	5.75	6.40	6.95
	50.0			2.61	3.25	4.00	4.85	5.20	5.75	6.25
ZR28K*E	30.0	2.83	3.55	4.40	5.35	6.45	7.70	8.25	9.10	9.85
	40.0	2.51	3.20	3.95	4.85	5.85	7.00	7.50	8.30	9.00
	50.0			3.50	4.30	5.25	6.30	6.75	7.50	8.15
ZR34K*E	30.0	3.35	4.25	5.25	6.40	7.70	9.20	9.80	10.8	11.75
	40.0	3.00	3.80	4.70	5.75	7.00	8.35	8.95	9.90	10.75
	50.0			4.15	5.15	6.25	7.50	8.05	8.95	9.75
ZR40K*E	30.0	4.00	5.00	6.15	7.50	9.05	10.8	11.55	12.8	13.85
	40.0	3.55	4.45	5.55	6.80	8.20	9.85	10.55	11.7	12.70
	50.0			4.90	6.05	7.35	8.85	9.50	10.5	11.50
ZR48K*E	30.0	4.75	6.00	7.40	9.05	10.9	13.0	13.90	15.4	16.70
	40.0	4.15	5.35	6.70	8.25	10.0	11.9	12.80	14.2	15.50
	50.0			5.90	7.30	8.90	10.7	11.55	12.8	13.95
ZR61K*E	30.0	5.55	7.10	8.95	11.0	13.4	16.0	17.10	18.8	20.20
	40.0	4.85	6.25	7.95	9.95	12.2	14.7	15.70	17.3	18.70
	50.0			6.90	8.70	10.8	13.1	14.05	15.6	16.90
ZR72K*E	30.0	7.35	9.20	11.2	13.6	16.3	19.4	20.70	22.8	24.70
	40.0	6.50	8.25	10.2	12.4	14.9	17.8	19.00	21.0	22.
	50.0			8.95	11.0	13.3	15.9	17.10	18.9	20.50
ZR81K*E	30.0	7.95	10.0	12.5	15.2	18.2	21.5	22.80	24.9	26.70
	40.0	7.10	8.95	11.2	13.8	16.8	20.0	21.30	23.5	25.30
	50.0			9.85	12.2	14.9	18.0	19.30	21.4	23.20
ZR90K*E	30.0	8.45	10.9	13.5	16.5	19.9	23.8	25.50	28.3	31.00
	40.0	7.35	9.65	12.0	14.8	17.9	21.4	23.00	25.6	27.90
	50.0			10.85	13.3	16.1	19.4	20.80	23.2	25.30
ZR11M*E	30.0	10.55	13.3	16.5	20.1	24.2	28.9	31.00	34.5	37.50
	40.0	9.30	11.9	14.9	18.3	22.1	26.4	28.40	31.5	34.00
	50.0			13.20	16.3	19.8	23.8	25.50	28.3	31.00
ZR12M*E	30.0	12.20	15.4	19.1	23.3	28.0	33.5	36.00	40.0	43.00
	40.0	10.75	13.8	17.3	21.2	25.6	30.5	33.00	36.5	39.50
	50.0			15.30	18.9	22.0	27.5	29.50	33.0	35.50

Prehriatie sania 10,0K, podchladenie kvapaliny 0,00K

R134a		Vyparovací teplota								
	Kond.tep.	-20,0	-15,0	-10,0	-5,0	0,0	5,0	7,0	10,0	12,5
ZR22K*E	30.0	1.23	1.60	2.05	2.60	3.25	4.00	4.35	4.90	
	50.0		1.17	1.56	2.02	2.56	3.20	3.45	3.90	4.30
	70.0					1.69	2.21	2.43	2.80	3.10
ZR28K*E	30.0	1.54	2.03	2.65	3.40	4.25	5.30	5.70	6.40	
	50.0		1.55	2.04	2.65	3.35	4.20	4.55	5.10	5.60
	70.0					2.36	3.00	3.30	3.75	4.15
ZR34K*E	30.0	1.95	2.53	3.20	4.05	5.00	6.10	6.60	7.40	
	50.0		1.92	2.49	3.15	3.95	4.90	5.30	6.00	6.60
	70.0					2.81	3.55	3.85	4.40	4.85
ZR40K*E	30.0	2.22	2.90	3.75	4.75	5.85	7.10	7.65	8.50	
	50.0		2.09	2.78	3.60	4.60	5.70	6.20	6.95	7.65
	70.0					3.15	4.05	4.45	5.10	5.70
ZR48K*E	30.0	2.83	3.65	4.60	5.75	7.10	8.70	9.45	10.5	
	50.0		2.68	3.50	4.50	5.65	7.00	7.55	8.50	9.35
	70.0					3.95	5.05	5.50	6.30	6.95
ZR61K*E	30.0	3.45	4.55	5.80	7.25	9.00	11.0	11.90	13.3	
	50.0		3.50	4.55	5.75	7.20	8.85	9.60	10.8	11.90
	70.0					5.20	6.45	7.05	8.00	8.85
ZR72K*E	30.0	4.30	5.55	7.05	8.80	10.8	13.2	14.30	16.0	
	50.0		4.15	5.30	6.75	8.45	10.4	11.35	12.8	14.10
	70.0					5.85	7.35	8.05	9.20	10.20
ZR81K*E	30.0	4.90	6.20	7.85	9.75	12.0	14.6	15.80	17.6	
	50.0		4.80	6.15	7.70	9.55	11.7	12.70	14.2	15.60
	70.0					6.90	8.55	9.30	10.5	11.65
ZR90K*E	30.0	6.75	8.50	10.6	13.0	15.8	17.1	19.10	20.9	6.75
	50.0		6.70	8.40	10.4	12.8	13.8	15.50	17.	6.70
	70.0					9.40	10.2	11.55	12.7	9.40
ZR11M*E	30.0		8.15	10.3	12.9	15.9	19.5	21.00	23.5	25.80
	50.0			8.20	10.3	12.8	15.7	17.10	19.2	21.10
	70.0						11.55	12.55	14.1	15.60
ZR12M*E	30.0		8.15	10.3	12.9	15.9	19.5	21.0	23.5	25.8
	50.0			8.20	10.3	12.8	15.7	17.10	19.2	21.10
	70.0						11.55	12.55	14.1	15.60

Prehriatie v sania 10,0K, podchladienie kvapaliny 0,00K

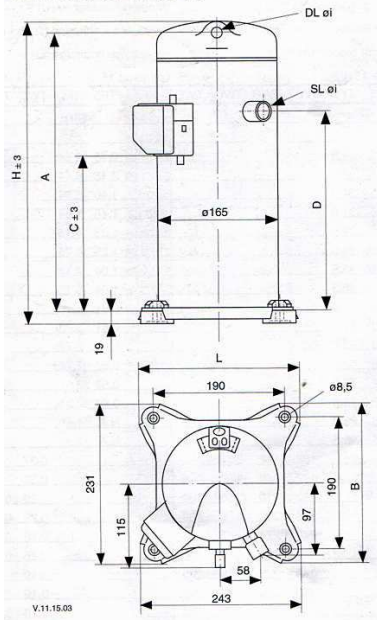
R407C		Vyparovací teplota								
	Kond.tep.	-20,0	-15,0	-10,0	-5,0	0,0	5,0	7,0	10,0	12,5
ZR22K*E	30.0	1.89	2.39	3.00	3.75	4.65	5.65	6.10	6.80	7.45
	40.0	1.61	2.08	2.67	3.40	4.20	5.15	5.60	6.25	6.85
	50.0			2.28	2.90	3.65	4.55	4.90	5.55	6.05
ZR28K*E	30.0	2.45	3.10	3.90	4.90	6.05	7.35	7.90	8.80	9.65
	40.0	2.08	2.70	3.45	4.40	5.45	6.70	7.25	8.10	8.85
	50.0			2.95	3.80	4.75	5.90	6.40	7.15	7.85
ZR34K*E	30.0	2.90	3.70	4.65	5.80	7.20	8.75	9.40	10.5	11.45
	40.0	2.48	3.20	4.10	5.20	6.50	7.95	8.60	9.60	10.55
	50.0			3.50	4.50	5.65	7.00	7.60	8.50	9.35
ZR40K*E	30.0	3.45	4.35	5.45	6.85	8.45	10.2	11.05	12.3	13.45
	40.0	2.90	3.75	4.85	6.10	7.65	9.35	10.10	11.3	12.35
	50.0			4.15	5.30	6.65	8.20	8.90	10.0	11.00
ZR48K*E	30.0	4.35	5.50	6.90	8.55	10.4	12.7	13.65	15.3	16.70
	40.0	3.75	4.85	6.10	7.65	9.40	11.4	12.35	13.8	15.10
	50.0			5.30	6.65	8.25	10.1	10.95	12.3	13.50
ZR61K*E	30.0	4.85	6.40	8.20	10.3	12.8	15.7	16.90	19.0	20.80
	40.0	4.15	5.60	7.25	9.20	11.5	14.1	15.30	17.2	18.90
	50.0			6.20	7.95	10.0	12.4	13.50	15.2	16.80
ZR72K*E	30.0	6.40	8.10	10.1	12.6	15.5	18.8	20.30	22.7	24.90
	40.0	5.30	7.05	9.05	11.3	13.9	16.9	18.20	20.3	22.20
	50.0			7.55	9.70	12.1	14.7	15.90	17.8	19.50
ZR81K*E	30.0	6.85	8.95	11.3	14.1	17.3	21.0	22.60	25.2	27.60
	40.0	5.75	7.80	10.0	12.6	15.6	19.0	20.60	23.0	5.75
	50.0			8.55	10.9	13.6	16.7	18.10	20.4	22.40
ZR90K*E	30.0	7.60	9.90	12.6	15.8	19.5	23.9	25.80	28.8	31.50
	40.0	6.50	8.60	11.0	13.9	17.3	21.3	23.00	25.8	28.30
	50.0			9.55	12.1	15.2	18.7	20.30	22.8	25.10
ZR11M*E	30.0	9.90	12.5	15.7	19.3	23.6	28.6	31.00	34.5	37.50
	40.0	8.60	11.0	13.9	17.2	21.1	25.7	27.70	31.0	34.00
	50.0			12.05	15.1	18.6	22.7	24.50	27.5	30.00
ZR12M*E	30.0	11.75	14.7	18.3	22.5	27.3	33.0	35.50	39.5	43.00
	40.0	10.25	13.0	16.3	20.1	24.5	29.7	32.00	35.5	39.00
	50.0			14.10	17.5	21.6	26.3	28.30	31.5	34.50

Prehriatie sania 10,0K, podchladenie kvapaliny 0,00K

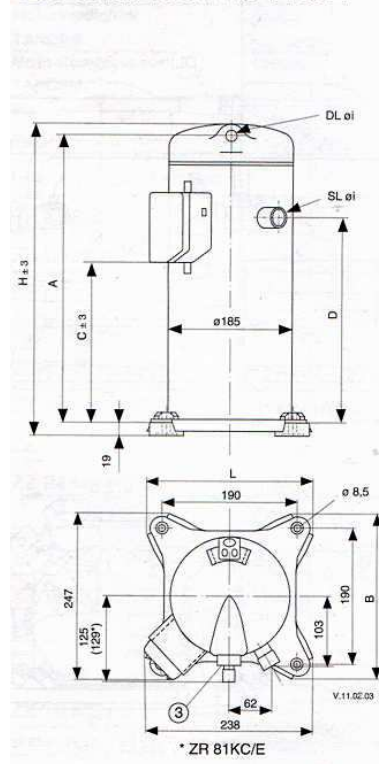
R410A		Vyparovací teplota								
	Kond.tep.	-20,0	-15,0	-10,0	-5,0	0,0	5,0	7,0	10,0	12,5
ZP23K*E	30.0	2.34	2.95	3.65	4.50	5.50	6.60	7.10	7.85	8.50
	40.0	2.01	2.55	3.20	3.95	4.85	5.80	6.25	6.95	7.50
	50.0			2.69	3.35	4.10	5.00	5.35	5.95	6.50
ZP26K*E	30.0	2.60	3.25	4.00	4.90	5.95	7.10	7.65	8.45	9.20
	40.0	2.24	2.83	3.50	4.30	5.25	6.30	6.80	7.50	8.20
	50.0			2.95	3.65	4.50	5.45	5.85	6.50	7.10
ZP32K*E	30.0	3.20	4.25	5.40	6.60	7.90	9.20	9.70	10.5	11.10
	40.0	2.49	3.45	4.50	5.65	6.80	8.00	8.50	9.20	9.75
	50.0			3.50	4.55	5.65	6.75	7.15	7.80	8.35
ZP41K*E	30.0	4.30	5.35	6.60	8.05	9.70	11.6	12.45	13.7	14.95
	40.0	3.65	4.60	5.75	7.05	8.50	10.2	11.00	12.2	13.30
	50.0			4.80	5.95	7.25	8.80	9.45	10.5	11.50
ZP54K*E	30.0	5.95	7.30	8.90	10.7	12.8	15.2	16.20	17.9	19.40
	40.0	5.10	6.40	7.85	9.50	11.4	13.5	14.45	15.9	17.30
	50.0			6.55	8.10	9.85	11.7	12.60	13.9	15.10
ZP67K*E	30.0	7.10	8.80	10.7	13.0	15.6	18.6	19.90	21.9	23.80
	40.0	5.90	7.50	9.35	11.4	13.8	16.6	17.70	19.6	21.30
	50.0			7.70	9.70	11.8	14.3	15.40	17.1	18.50
ZP83K*E	30.0	8.75	10.9	13.3	16.1	19.2	22.8	24.40	26.9	29.20
	40.0	7.45	9.40	11.6	14.1	17.1	20.4	21.90	24.2	26.30
	50.0			9.75	12.0	14.6	17.7	19.00	21.1	23.10
ZP90K*E	30.0	9.30	11.7	14.5	17.6	21.0	24.9	26.50	29.2	31.50
	40.0	7.65	9.95	12.5	15.4	18.7	22.3	23.90	26.4	28.60
	50.0			10.30	12.9	15.9	19.2	20.70	23.0	25.00

Rozmery kompresorov rady ZR

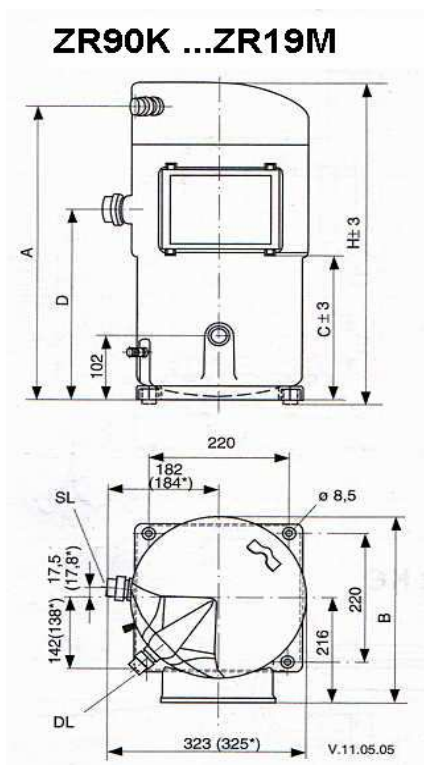
ZR 18 K*...ZR 40 K*



ZR 49...ZR 81 KC / KCE



Technické údaje rady ZR



	Výška L	Sanie	Výtlač	Olej	Hmotn.
ZR18	383 mm	19	12	0,6	20 kg
ZR22	383 mm	19	12	1,0	22 kg
ZR28	383 mm	19	12	1,0	25 kg
ZR34	405 mm	19	12	1,1	26 kg
ZR40	419 mm	19	12	1,1	27 kg
ZR49	457 mm	22	12	1,85	37 kg
ZR61	457 mm	22	12	1,85	38 kg
ZR72	457 mm	22	12	1,65	40 kg
ZR81	462 mm	22	19	1,65	41 kg
ZR90	542 mm	35	22	4,0	91 kg
ZR11	542 mm	35	22	4,0	91 kg
ZR12	542 mm	35	22	4,0	91 kg
ZR16	550 mm	35	22	4,0	98 kg
ZR19	596 mm	42	28	4,0	112 kg

Vyhrievanie oleja montujte vo výške cca 20-40mm od spodnej hrany plášťa kompresora

Kompresory rady ZH pre tepelné čerpadlá

R407C		Vyparovacia teplota								
	Kond.tep.	-25,0	-20,0	-15,0	-10,0	-5,0	0,0	5,0	7,0	10,0
ZH15K*E	30.0	2.95	3.55	4.25	5.05	5.95	7.00	8.25	8.80	9.70
	40.0	2.82	3.40	4.05	4.75	5.60	6.55	7.70	8.25	9.10
	50.0		3.35	3.90	4.55	5.25	6.15	7.15	7.65	8.40
ZH19K*E	30.0	3.55	4.30	5.15	6.15	7.35	8.65	10.20	10.9	12,0
	40.0	3.40	4.10	4.85	5.80	6.85	8.05	9.45	10.1	11.1
	50.0		4.00	4.70	5.50	6.45	7.55	8.85	9.40	10.35
ZH21K*E	30.0	3.90	4.70	5.60	6.70	8.05	9.60	11.45	12.3	13.55
	40.0	3.75	4.50	5.35	6.35	7.50	8.85	10.40	11.1	12.25
	50.0		4.25	5.05	6.00	7.05	8.25	9.65	10.3	11.25
ZH26K*E	30.0	4.70	5.75	6.95	8.35	10.0	11.9	14.15	15.1	16.70
	40.0	4.55	5.50	6.60	7.85	9.35	11.2	13.2	14.1	15.50
	50.0		5.40	6.35	7.50	8.85	10.4	12.2	13.1	14.40
ZH30K*E	30.0	5.45	6.60	8.00	9.60	11.5	13.7	16.3	17.4	19.20
	40.0	5.30	6.40	7.70	9.15	10.9	12.9	15.20	16.2	17.90
	50.0		6.30	7.45	8.80	10.4	12.1	14.25	15.2	16.60
ZH38K*E	30.0	6.80	8.20	9.95	12.0	14.3	17.1	20.10	21.4	23.50
	40.0	6.60	7.90	9.50	11.4	13.5	16.1	18.90	20.1	22.00
	50.0		7.75	9.20	10.8	12.8	15.1	17.60	18.7	20.50
ZH45K*E	30.0	8.25	9.90	11.9	14.2	16.9	20.1	23.60	25.2	27.70
	40.0	8.00	9.55	11.3	13.4	15.9	18.8	22.00	23.5	25.80
	50.0		9.25	10.9	12.8	15.0	17.5	20.50	21.8	23.90

R134a		Vyparovací teplota								
	Kond.tep.	-25,0	-20,0	-15,0	-10,0	-5,0	0,0	5,0	7,0	10,0
ZH15K*E	30.0	1.71	2.07	2.51	3.05	3.65	4.40	5.30	5.65	
	40.0	1.68	2.01	2.40	2.87	3.40	4.10	4.85	5.20	5.75
	50.0	1.68	1.99	2.36	2.79	3.30	3.85	4.55	4.85	5.35
	70.0				2.65	3.10	3.60	4.20	4.45	4.85
ZH19K*E	30.0	2.16	2.64	3.20	3.90	4.70	5.70	6.80	7.30	
	40.0	2.11	2.54	3.05	3.65	4.40	5.25	6.25	6.70	7.40
	50.0	2.09	2.51	3.00	3.55	4.20	4.95	5.85	6.25	6.90
	70.0				3.30	3.90	4.55	5.30	5.65	6.15
ZH21K*E	30.0	2.41	2.95	3.55	4.30	5.25	6.30	7.55	8.10	
	40.0	2.35	2.83	3.40	4.05	4.85	5.80	6.90	7.40	8.20
	50.0	2.33	2.79	3.30	3.95	4.65	5.50	6.50	6.90	7.65
	70.0				3.70	4.35	5.05	5.90	6.25	6.85
ZH26K*E	30.0	3.00	3.70	4.50	5.50	6.65	8.05	9.65	10.4	
	40.0	2.95	3.55	4.25	5.15	6.15	7.40	8.80	9.45	10.50
	50.0	2.88	3.45	4.15	4.95	5.85	6.95	8.25	8.80	9.70
	70.0				4.55	5.40	6.30	7.35	7.85	8.60
ZH30K*E	30.0	3.50	4.30	5.20	6.30	7.55	9.05	10.80	11.5	
	40.0	3.35	4.10	5.00	6.00	7.15	8.55	10.15	10.8	12.00
	50.0	3.25	4.00	4.80	5.75	6.80	8.05	9.50	10.1	11.20
	70.0				5.40	6.25	7.25	8.35	8.85	9.70
ZH38K*E	30.0	4.25	5.20	6.35	7.65	9.20	11.0	13.10	14.0	
	40.0	4.05	5.00	6.05	7.30	8.70	10.3	12.30	13.1	14.55
	50.0	3.95	4.85	5.85	6.95	8.25	9.75	11.50	12.3	13.55
	70.0				6.55	7.60	8.80	10.15	10.7	11.75
ZH45K*E	30.0	5.10	6.25	7.60	9.20	11.0	13.2	15.70	16.9	
	40.0	4.85	6.00	7.25	8.75	10.4	12.4	14.75	15.8	17.50
	50.0	4.70	5.80	7.00	8.35	9.95	11.7	13.85	14.8	16.30
	70.0				7.85	9.10	10.5	12.20	12.9	14.10

Tabuľka technických údajov

Typ	Výška mm	Sanie mm	Výtlak mm	Hlučnosť 1m, db(A)	Olej L	Hmotnosť Kg	Prev.napätie A
ZH15K*E	396	18	12	60	1,30	26	5,0
ZH19K*E	406	18	12	59	1,48	29	6,0
ZH21K*E	406	18	12	58	1,45	30	7,0
ZH26K*E	419	18	12	60	1,45	31	9,0
ZH30K*E	457	22	12	61	1,89	41	11,0
ZH38K*E	457	22	12	62	1,89	41	11,6
ZH45K*E	457	22	12	64	1,89	44	13,5

Chladiaci a mraziaci rozsah

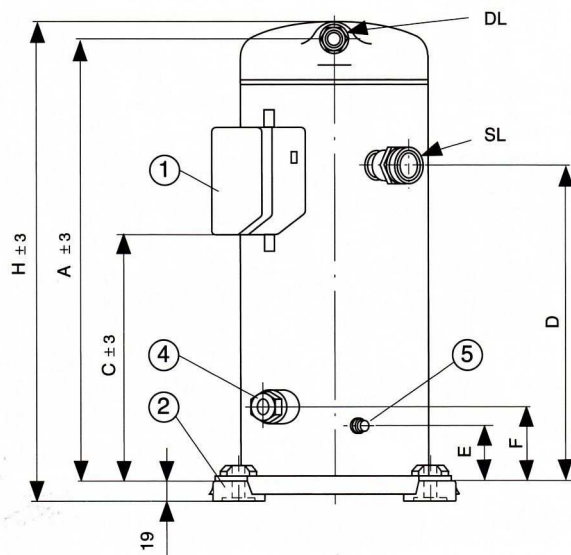
R134a		Vyparovacia teplota								
	Kond.tep.	-20,0	-15,0	-10,0	-5,0	0,0	5,0	7,0	10,0	12,5
ZB19K*E	30.0		2.21	2.80	3.45	4.25	5.15	5.60	6.25	
	40.0				3.10	3.85	4.65	5.05	5.65	6.20
	50.0					3.40	4.15	4.50	5.05	5.55
ZB21K*E	30.0		2.85	3.55	4.40	5.40	6.60	7.10	7.90	
	40.0				4.00	4.90	5.95	6.45	7.20	7.85
	50.0					4.40	5.35	5.75	6.40	7.05
ZB26K*E	30.0		3.05	3.80	4.75	5.85	7.15	7.70	8.60	
	40.0				4.30	5.30	6.45	6.95	7.80	8.50
	50.0					4.70	5.75	6.20	6.95	7.60
ZB30K*E	30.0		3.80	4.80	6.00	7.35	8.95	9.60	10.7	
	40.0				5.45	6.70	8.15	8.75	9.75	10.65
	50.0					5.95	7.25	7.80	8.70	9.55
ZB38K*E	30.0		4.70	5.95	7.40	9.10	11.0	11.90	13.3	
	40.0				6.70	8.20	10.0	10.80	12.1	13.25
	50.0					7.35	8.95	9.65	10.8	11.85
ZB42K*E	30.0		5.40	6.75	8.30	10.1	12.3	13.25	14.8	
	40.0				7.45	9.15	11.1	11.95	13.3	14.65
	50.0					8.10	9.85	10.65	11.9	13.00

R22		Vyparovacia teplota								
	Kond.tep.	-20,0	-15,0	-10,0	-5,0	0,0	5,0	7,0	10,0	12,5
ZB19K*E	30.0	2.83	3.55	4.35	5.30	6.40	7.70	8.25	9.10	9.90
	40.0			3.95	4.85	5.85	7.00	7.50	8.30	9.05
	50.0				4.35	5.25	6.30	6.75	7.50	8.15
ZB21K*E	30.0	3.45	4.50	5.60	6.80	8.15	9.65	10.35	11.4	12.3
	40.0			5.05	6.15	7.40	8.85	9.50	10.5	11.40
	50.0				5.50	6.60	7.90	8.50	9.40	10.25
ZB26K*E	30.0	3.95	4.95	6.10	7.45	9.00	10.7	11.55	12.7	13.90
	40.0			5.55	6.80	8.20	9.85	10.55	11.7	12.70
	50.0				6.05	7.35	8.85	9.50	10.5	11.50
ZB30K*E	30.0	3.90	5.20	6.80	8.60	10.7	13.0	14.10	15.7	17.10
	40.0			6.05	7.70	9.65	11.9	12.85	14.4	15.80
	50.0				6.80	8.55	10.6	11.45	12.9	14.15
ZB38K*E	30.0	5.60	7.10	8.90	11.0	13.4	16.0	17.10	18.8	20.30
	40.0			8.00	9.95	12.2	14.6	15.70	17.3	18.80
	50.0				8.80	10.8	13.1	14.10	15.6	16.90
ZB42K*E	30.0	7.25	8.90	10.8	13.0	15.6	18.6	19.90	22.0	23.80
	40.0			9.85	11.9	14.3	17.0	18.20	20.1	21.80
	50.0				10.70	12.8	15.3	16.40	18.1	19.70

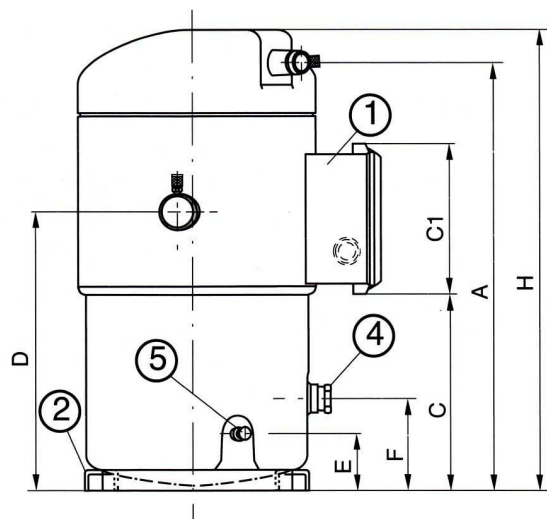
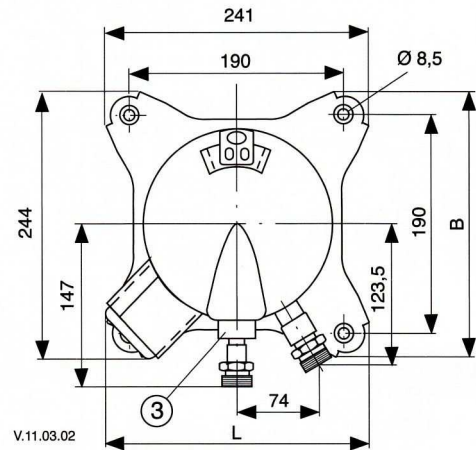
R407C		Vyparovací teplota								
	Kond.tep.	-20,0	-15,0	-10,0	-5,0	0,0	5,0	7,0	10,0	12,0
ZB19K*E	30.0		3.15	3.95	4.90	6.05	7.35	7.90	8.80	9.65
	40.0			3.55	4.45	5.50	6.70	7.25	8.10	8.85
	50.0				3.90	4.85	5.90	6.40	7.15	7.85
ZB21K*E	30.0		4.25	5.30	6.50	7.90	9.55	10.25	11.4	12.45
	40.0			4.75	5.85	7.15	8.60	9.25	10.3	11.25
	50.0				5.15	6.30	7.60	8.20	9.10	9.95
ZB26K*E	30.0		4.40	5.55	6.85	8.45	10.2	11.05	12.3	13.45
	40.0			4.95	6.20	7.70	9.40	10.10	11.3	12.35
	50.0				5.40	6.75	8.25	8.95	10.0	10.95
ZB30K*E	30.0		5.55	6.95	8.65	10.6	12.8	13.80	15.4	16.80
	40.0			6.20	7.75	9.50	11.5	12.45	13.9	15.20
	50.0				6.70	8.25	10.1	10.90	12.2	13.40
ZB38K*E	30.0		6.55	8.35	10.5	12.9	15.8	17.00	18.9	20.70
	40.0			7.40	9.35	11.6	14.2	15.40	17.2	18.90
	50.0				8.15	10.1	12.5	13.55	15.2	16.70
ZB42K*E	30.0		8.25	10.2	12.6	15.5	18.8	20.30	22.7	24.90
	40.0			9.20	11.4	14.0	16.9	18.20	20.3	22.20
	50.0				9.95	12.2	14.8	16.00	17.8	19.40

R404A/507		Vyparovací teplota								
	Kond.tep.	-25,0	-20,0	-15,0	-10,0	-5,0	0,0	5,0	7,0	10,0
ZB19K*E	30.0	2.73	3.35	4.10	5.00	6.00	7.15	8.50	9.05	9.95
	40.0	2.35	2.90	3.55	4.30	5.20	6.15	7.30	7.80	8.60
	50.0		2.39	2.95	3.55	4.25	5.10	6.05	6.50	7.15
ZB21K*E	30.0	3.45	4.30	5.25	6.35	7.65	9.10	10.75	11.5	12.65
	40.0	3.00	3.70	4.55	5.50	6.60	7.90	9.35	9.95	10.95
	50.0		3.10	3.75	4.55	5.50	6.55	7.80	8.30	9.15
ZB26K*E	30.0	4.05	5.00	6.10	7.35	8.85	10.5	12.50	13.3	14.70
	40.0	3.50	4.30	5.25	6.35	7.65	9.10	10.80	11.5	12.75
	50.0		3.55	4.35	5.30	6.40	7.65	9.10	9.70	10.75
ZB30K*E	30.0	3.80	4.75	5.90	7.20	8.70	10.4	12.45	14.6	15.70
	40.0	3.25	4.05	5.05	6.20	7.50	9.05	10.75	12.7	13.60
	50.0		4.15	5.10	6.20	7.50	9.00	10.75	11.5	12.70
ZB38K*E	30.0	5.90	7.30	8.90	10.8	12.9	15.4	18.20	19.4	21.40
	40.0	5.10	6.25	7.70	9.30	11.2	13.3	15.80	16.9	18.60
	50.0		5.20	6.35	7.75	9.35	11.2	13.30	14.2	15.70
ZB42K*E	30.0	6.65	8.20	10.0	12.1	14.6	17.4	20.60	22.0	24.20
	40.0	5.75	7.10	8.70	10.5	12.6	15.1	17.90	19.1	21.00
	50.0		5.90	7.20	8.75	10.5	12.6	14.95	16.0	17.60

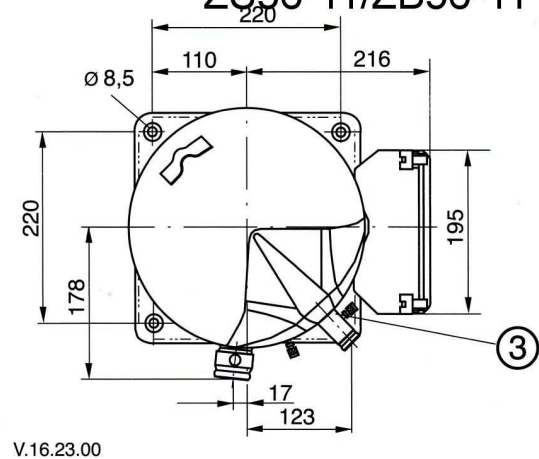
Rozmery kompresorov rady ZS/ZB



ZS21-45/ZB15-45



ZS56-11/ZB56-11



Tabuľka rozmerov kompresorov ZF-ZB

Model/Modèle/Modell	A	C	C1	D	E	F	G
ZB15KCE ZB19KCE	343,9	199,4 - 205,4	--	244,6	43,9	69,4	--
ZS21K4E ZB21KCE	366,5	219,3 - 225,3	--	264,5	49,6	75,1	--
ZS26K4E ZB26KCE	380,3	232,1 - 238,1	--	277,3	49,6	75,1	--
ZS30K4E ZB30KCE	409,8	233,4	--	296,9	47,5	81,3	--
ZS38K4E ZB38KCE							
ZB42KCE ZB45KCE							
ZS45K4E ZS56K4E ZB56KCE	497,34	221,59	175,7	314,82	63,52	97,79	--
ZS75K4E ZB75KCE	497,34	221,59	175,7	314,82	63,52	97,79	--
ZS92K4E ZB92KCE	504,96	221,59	175,7	314,82	63,52	97,79	--
ZS11M4E ZB11MCE	546,14	221,59	175,7	314,82	63,52	97,79	376,14

Kompresory Copeland Scroll

103.1198	Kompresor ZR 19M*-TWD-551
103.1404	Kompresor ZF15K*E-TFD-551
103.1405	Kompresor ZF18K*E-TFD-551
103.1407	Kompresor ZF33K*E-TWD-551
103.1409	Kompresor ZS15K*E-TFD-551
103.1413	Kompresor ZS30K*E-TFD-551
103.1414	Kompresor ZS38K*E-TFD- 551
103.1415	Kompresor ZS45K*E-TFD-551
103.1416	Kompresor ZS56K*E-TWD-551
103.1417	Kompresor ZS75K*E-TWD-551
103.1418	Kompresor ZS92K*E-TWD-551
103.1420	Kompresor ZR18K*E-PFJ-522
103.1421	Kompresor ZR22K*E-PFJ-522
103.1422	Kompresor ZR28K*E-PJF-522
103.1423	Kompresor ZR34K*E-PFJ-522
103.1425	Kompresor ZR81K*E-TFD-522
103.1431	Kompresor ZR22K*E-TFD-522
103.1432	Kompresor ZR28K*E-TFD-522
103.1433	Kompresor ZR34K*E-TFD-522
103.1434	Kompresor ZR40K*E-TFD-522
103.1436	Kompresor ZR61K*E-TFD-522
103.1437	Kompresor ZR72K*E-TFD-522
103.1438	Kompresor ZR90K*E-TWD-551
103.1440	Kompresor ZR12M*E-TWD-551
103.1441	Kompresor ZR16M*E-TWD-551
103.1461	Kompresor ZR90K*-TWD-570
103.1480	Kompresor ZR19M*E-TWD-551
103.1481	Kompresor ZR90K*E-TWD-522
103.1482	Kompresor ZR11M*E-TWD-522
103.1483	Kompresor ZR12M*E-TWD-522
103.1484	Kompresor ZR16M*E-TWD-522
103.1485	Kompresor ZR19M*E-TWD-522
103.1487	Kompresor ZR48K*E-TFD-522
103.1491	Kompresor ZR61K*E-TFD-523
103.1492	Kompresor ZR72K*E-TFD-523
103.1494	Kompresor ZR48K*E-PFJ-522
103.1495	Kompresor ZF48K*E-TWD-551
103.2009	Kompresor ZP41K*E-TFD-522
103.2010	Kompresor ZP54K*E-TFD522
103.2011	Kompresor ZB19K*E-TFD 551
103.2012	Kompresor ZB 21K*E-TFD551
103.2014	Kompresor ZB 30K*E-TFD-551
103.2024	Kompresor ZR49K3E-TFD-422
103.2025	Kompresor ZR61K*E-TFD-422
103.2026	Kompresor ZR72K*E-TFD-422

103.2037	Kompresor ZB11M*E-TWD-551
103.2039	Kompresor ZR48K3E-TFD-422
103.2077	Kompresor ZH45K*E-TFD524
103.2078	Kompresor ZH38K*E-TFD524
103.2080	Kompresor ZH21K*E-TFD524
103.2081	Kompresor ZH30K*E-TFD-524
103.2082	Kompresor ZH19K*E-TFD-524
103.1741	Sada adaptérov ZR 18-40 /ZF 06-11/ZS 15-26
103.1742	Sada adaptérov ZR 48-72 /ZF 13-18/ZS 30-45
103.1743	Sada adaptérov ZR 81
103.1744	Sada adaptérov ZR 90-16 /ZF 24-40/ZS 56-92
103.1745	Sada adaptérov ZR 19 /ZF 48 /ZS 11

Poznámka:

Pomocou sady adaptérov je možné kompresor v spájkovacom prevedení (-522) prerobiť na variantu s rotalock ventilmi (-551)

Adaptér sa pripája na vývody kompresora a na adaptér sa naskrutkuje rotalock ventil.

Zoznam kódových označení pre kompresory Copeland

Polohermetické kompresory

štandardné prevedenie elektromotoru

CAG	220-230V/1/50 Hz	
EWL (DK,DL,D2S)	220-240V/3/50 Hz	trojuholník
EWL (DK,DL,D2S)	380-420V/3/50 Hz	Y
AWM	380-420V/3/50 Hz	YY/Y
BWM	380-420V/3/50 Hz	trojuholník

Špeciálne prevedenie elektromotoru

EWL (ne pre DK,DL,D2S)	220-240V/3/50 Hz	trojuholník
EWL (ne pre DK,DL,D2S)	380-420V/3/50 Hz	Y
EWM	380-420V/3/50 Hz	trojuholník/Y-Start
EWY	500-550V/3/50 Hz	trojuholníkY-Start
TWY	500-550V/3/50 Hz	trojuholník
AWY	500-550V/3/50 Hz	YY/Y
BWR	220-240V/3/50 Hz	trojuholník/ trojuholník
BWY	500-550V/3/50 Hz	trojuholník/ trojuholník

Poznámka : YY/Y a trojuholník/ trojuholník značí delené vinutie pre uľahčenie rozbehu kompresoru

Kompresory Scroll

Štandardné prevedenie elektromotora

PFJ	220-240V/1/50 Hz	
PFT	220-240V/1/50 Hz	
PFZ	220-240V/1/50 Hz	
TFD	380-420V/3/50 Hz	Y
TWD	380-420V/3/50 Hz	Y

Špeciálne prevedenie elektromotora

TF5	200-220V/3/50 Hz	Y
-----	------------------	---

TWR	220-240V/3/50 Hz	Y
TWC	200/3/50 Hz	Y
TFE	500/3/50 Hz	Y
TWE	500/3/50 Hz	Y

Kódy prevedenia kompresorov Scroll

512	letovací, kompaktné prevedenie, pätky do trojuholníku, iba pre PFJ a TFD
522	letovacie vývody, priehľadítko oleja
523	šróbenie rotalock, iba pre motor TFD
526	rovnaké ako 522
527	rovnaké ako 523
551	šróbenie rotalock, priehľadítko oleja
556	šróbenie rotalock, priehľadítko oleja, DTC ventil
570	tandem, šróbenie rotalock
571	tandem, letovacie vývody
770	s uzatváracími ventilmi
772	iba letovacie vývody
870	tandem, s rotalock ventilmi
871	tandem, letovacie vývody, pre združené jednotky

